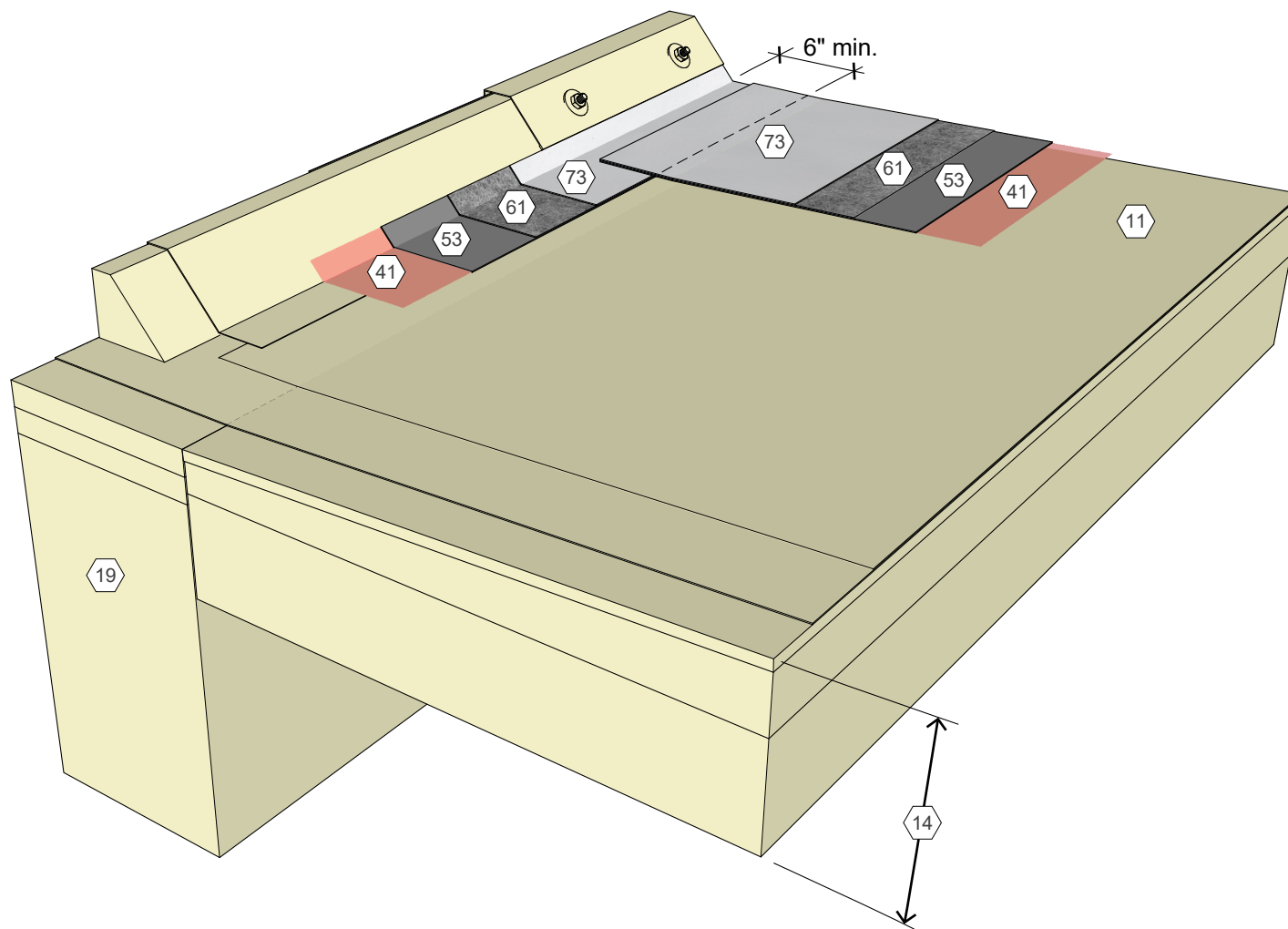


KEY NOTES

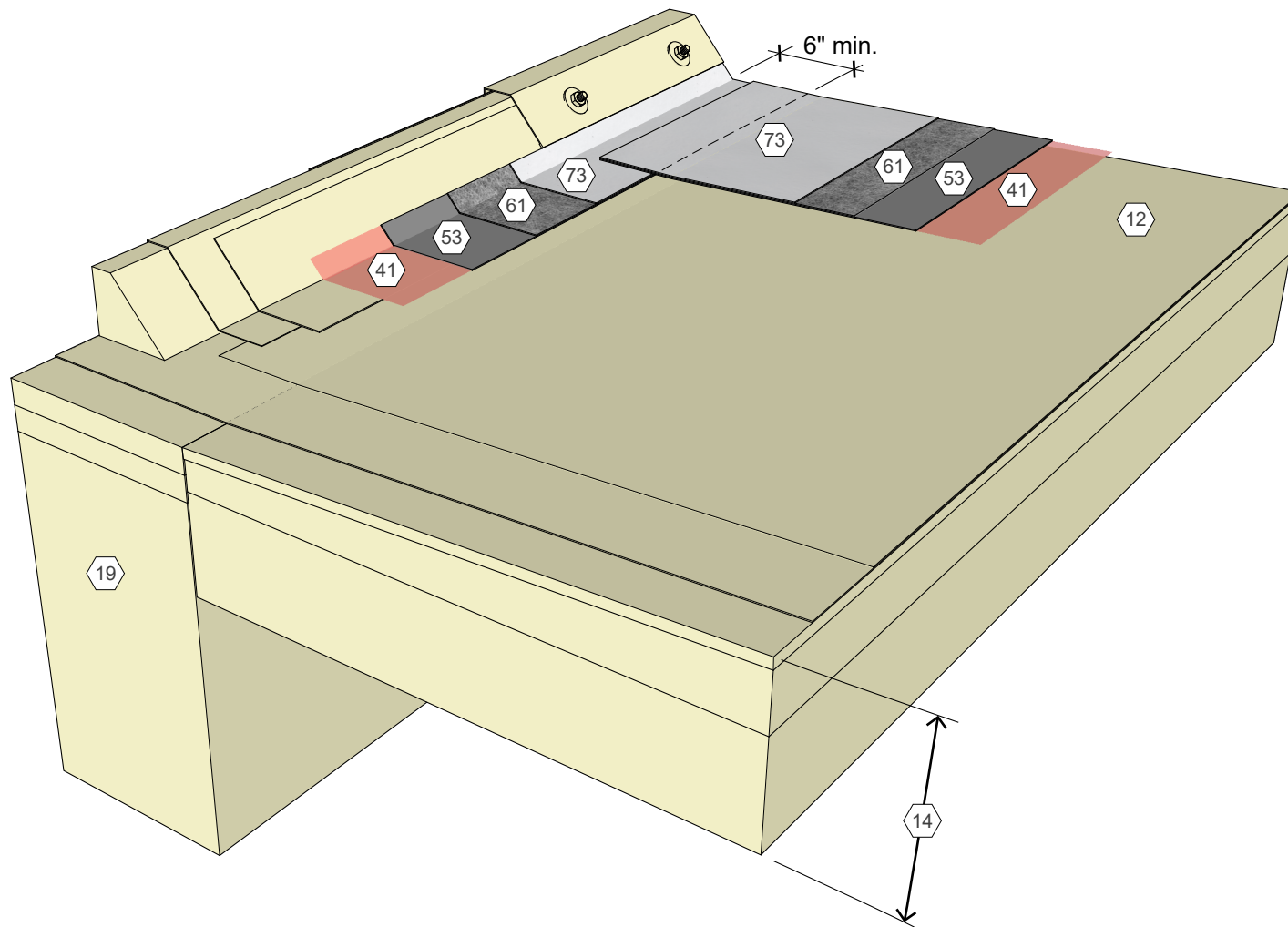
- 11 Existing Single-Ply Membrane
- 14 Existing Structural Deck and Insulation Assembly
- 19 Wall Assembly
- 41 Approved Primer
- 53 AlphaGuard PUMA Base Coat
- 61 AlphaGuard Glass Mat or Permafab
- 73 AlphaGuard PUMA Top Coat



AlphaGuard® PUMA Restoration Detail, Single-Ply, Raised Perimeter Edge
Detail 14021

KEY NOTES

- 12 Existing MB or Smooth BUR
- 14 Existing Structural Deck and Insulation Assembly
- 19 Wall Assembly
- 41 Approved Primer
- 53 AlphaGuard PUMA Base Coat
- 61 AlphaGuard Glass Mat or Permafab
- 73 AlphaGuard PUMA Top Coat



AlphaGuard® PUMA Restoration Detail, MB or Smooth BUR, Raised Perimeter Edge
Detail 14022